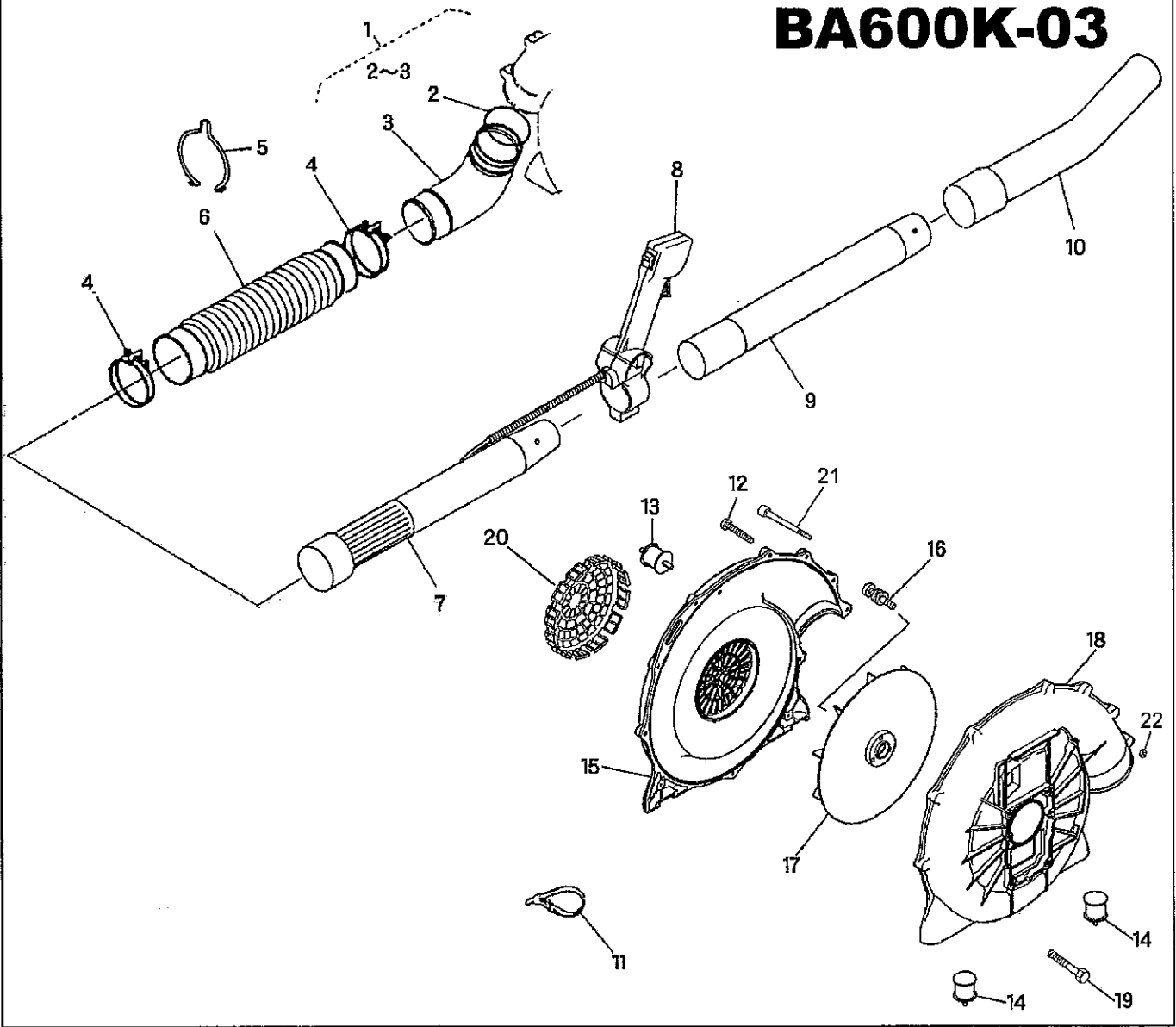


BA600K-03

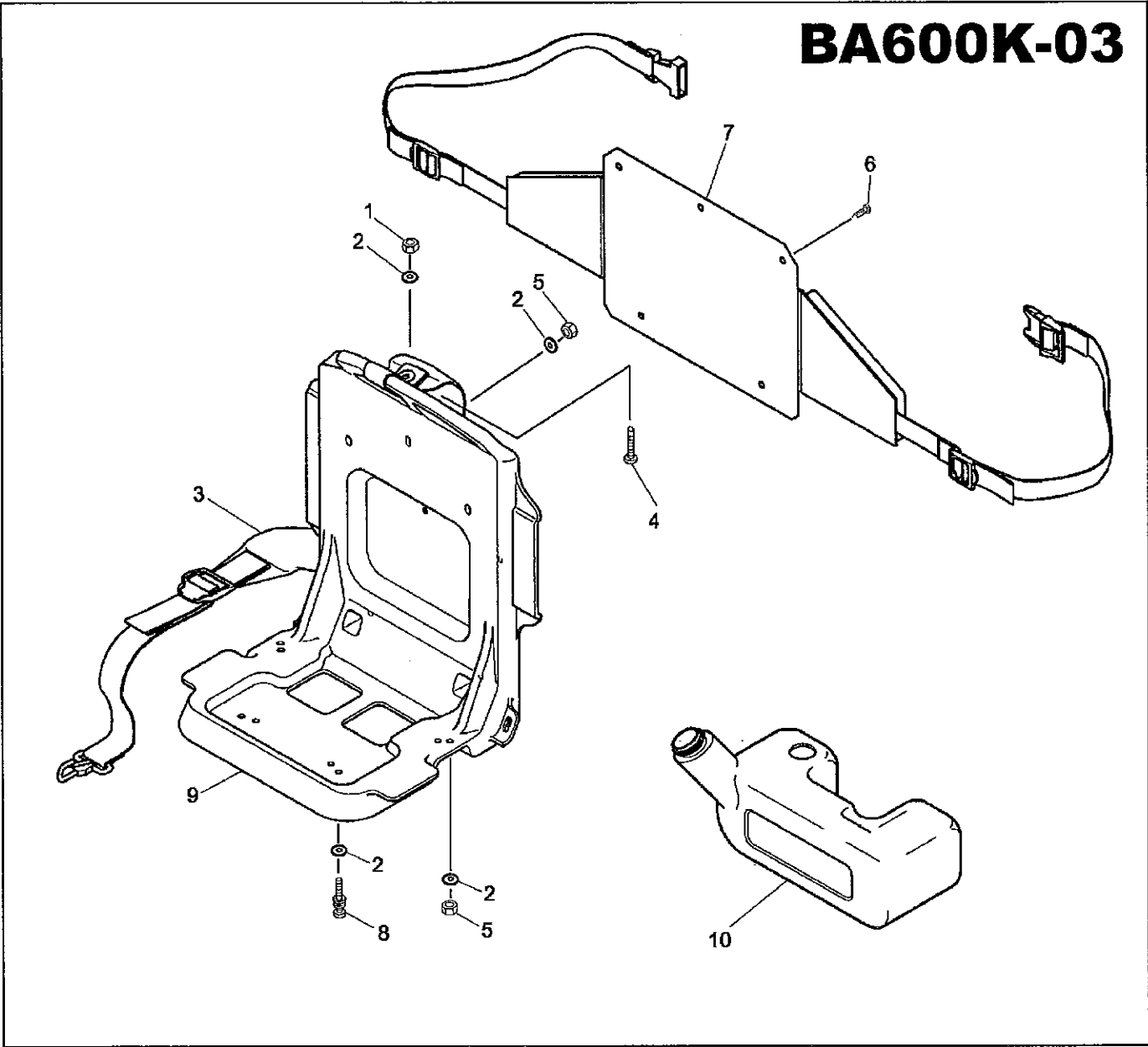


PARTS LIST

MODEL: BA600K

REF. NO.	PARTS NO.	PARTS NAME	Q'TY INCLUDING	Jun. 01, 2001		REMARKS
				PRICE(¥)	RECOMM (%)	
1	71214 102	ELBOW PIPE C.P.	1			
2	212B 8000	O-RING	1			
3	36086 104	ELBOW PIPE	1			
4	68031 139	HOSE BAND	2			
5	68026 107	WIRE CLAMP	1			
6	36084 104	FLEX. PIPE	1			
7	36087 105	BASE PIPE	1			
8	71056 239	THROTTLE LEVER Ass'y	1			
9	36088 107	MIDDLE PIPE	1			
10	36089 105	BEND PIPE	1			
11	68028 102	WIRE BAND	1			
12	464L 0520	(+)TAPPING SCREW M5×20	9			
13	36005 163	VIBRO-ISOLATING RUBBER	1			
14	36005 164	VIBRO-ISOLATING RUBBER	2			
15	51123 194	FAN CASE	1			
16	31062 146	PRE-COAT LOCK BOLT	3			
17	51125 114	FAN	1			
18	51123 195	FAN CASE	1			
19	31062 144	PRE-COAT LOCK BOLT	6			
20	36083 105	FAN COVER	1			
21	412U 0565	SOCKET SCREW	2			
22	572L 0500	NYLON NUT	2			

BA600K-03



PARTS LIST

MODEL: BA600K

REF. NO.	PARTS NO.		PARTS NAME	Q'TY INCLUDING	Jun. 01. 2000		REMARKS
					PRICE(¥)	RECOMM (%)	
1	569L	0600	FLANGE NYLON NUT M6	2			
2	68036	125	WASHER	7			
3	36063	196	SHOULDER BAND	2			
4	376L	0616	(+)TRUSS SCREW M6×16	2			
5	561L	0600	U-NUT M6	3			
6	68027	107	CLIP	5			
7	91027	128	KNAPSACK PAD	1			
8	375L	0616	(+)SCREW(W/SW,PW) M6×16	2			
9	36122	124	KNAPSACK FRAME	1			
10	36066	116	FUEL TANK	1			